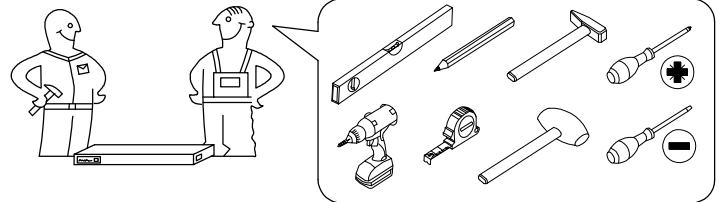
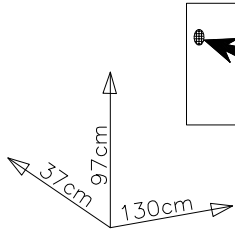
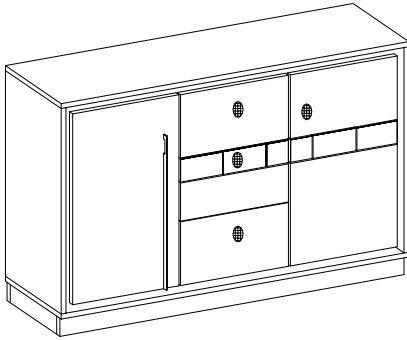


KEKS

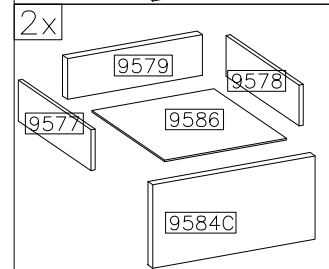
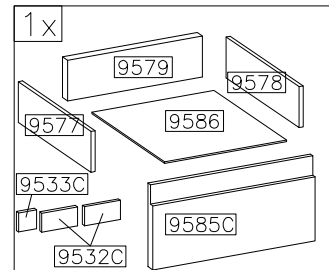
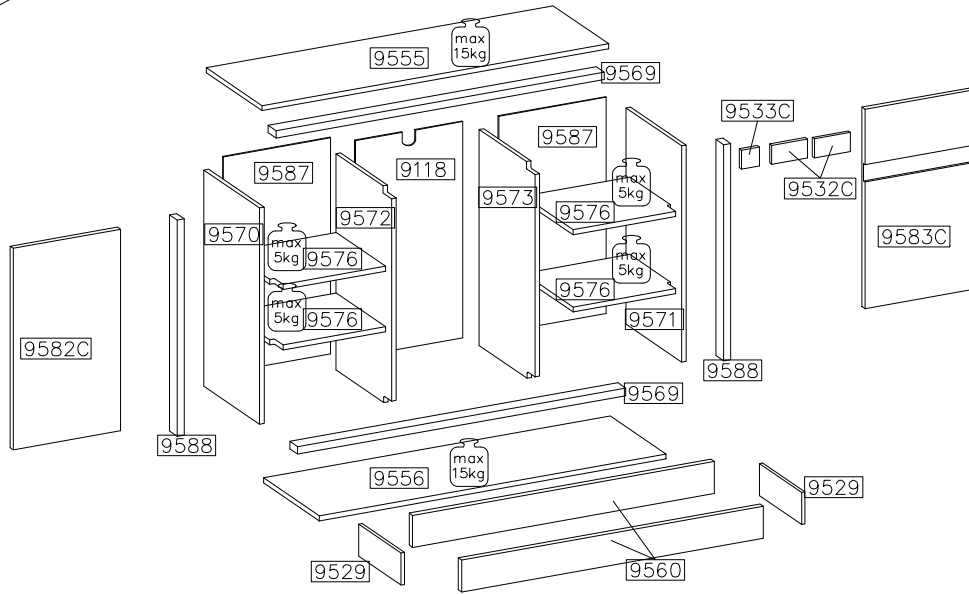
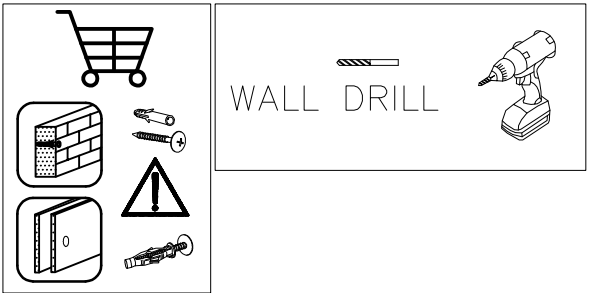
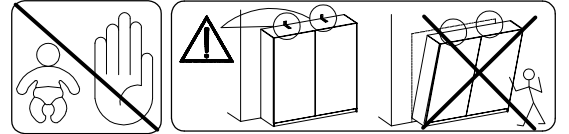
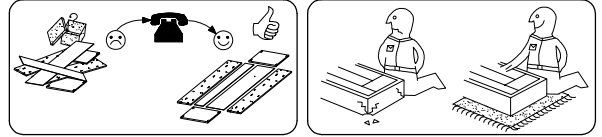
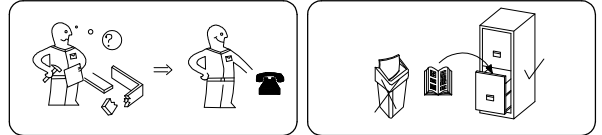
K12



CASHMERE



#	ART. NR	L	W	T	Q	Col.No
1	9570	838	370	16	1	1
2	9571	838	370	16	1	1
3	9572	838	330	16	1	1
4	9573	838	330	16	1	1
5	9555	1300	370	16	1	2
6	9556	1300	370	16	1	2
7	9576	420	320	16	4	1
8	9577	300	160	16	3	1
9	9578	300	160	16	3	1
10	9579	354	143	16	3	1
11	9560	1200	100	16	2	2
12	9529	298	100	16	2	1
13	9586	369	308	2,5	3	2
14	9587	435	853	2,5	2	2
15	-	412	853	2,5	1	2
16	9588	838	80	25	2	1
17	9569	1217	80	25	2	2
18	9582C	798	407	16	1	3
19	9583C	798	407	16	1	3
20	9584C	263	407	16	2	3
21	9585C	263	407	16	1	3
22	9532C	153	60	6	4	3
23	9533C	84	60	6	2	3



$\varnothing 8 \times 30 \text{mm}$ A	$\varnothing 8 \times 20 \text{mm}$ A7	$6,4 \times 50 \text{mm}$ B	$\varnothing 15/12 \text{mm}$ C	$\varnothing 3,5 \times 16 \text{mm}$ D1	$\varnothing 3,5 \times 16 \text{mm}$ E	$\varnothing 3,5 \times 16 \text{mm}$ E1
36	4	8	24	24	24	8
O	$\varnothing 5,0 \times 13 \text{mm}$ P9	L	N	$\varnothing 3,5 \times 16 \text{mm}$ P4	$\varnothing 3,5 \times 16 \text{mm}$ U	L R PUSH TO OPEN PR2
1	26	12	1	2	12	3SET
J4	$\varnothing 35/KR-8$ G8	$\varnothing 4,0 \times 35 \text{mm}$ P20	F8	$\varnothing 3,0 \times 16 \text{mm}$ P1	F1	$\varnothing 3,0 \times 20 \text{mm}$ P7
16	4	14	14	32	8	6

CASHMERE

$3,0 \times 13 \text{mm}$ P13	$\varnothing 3,5 \times 16 \text{mm}$ C5	$\varnothing 3,5 \times 16 \text{mm}$ P4
12	2	4
L-608 S1	M4.0x22mm R2	
1	3	



1



D1

4

∅8x30mm

∅15/12mm



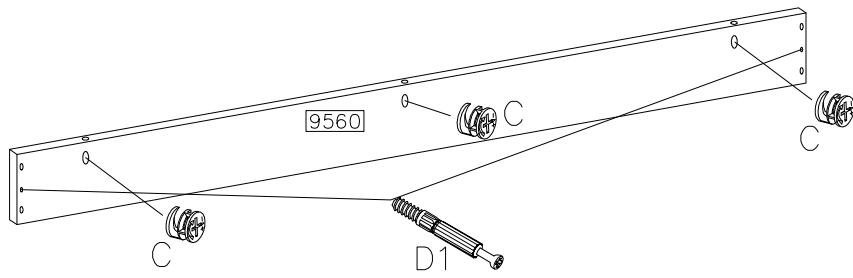
A



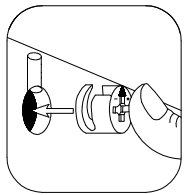
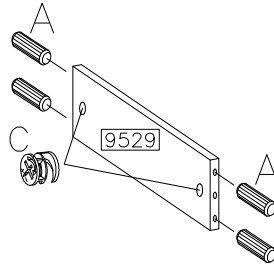
C

8

10



2x

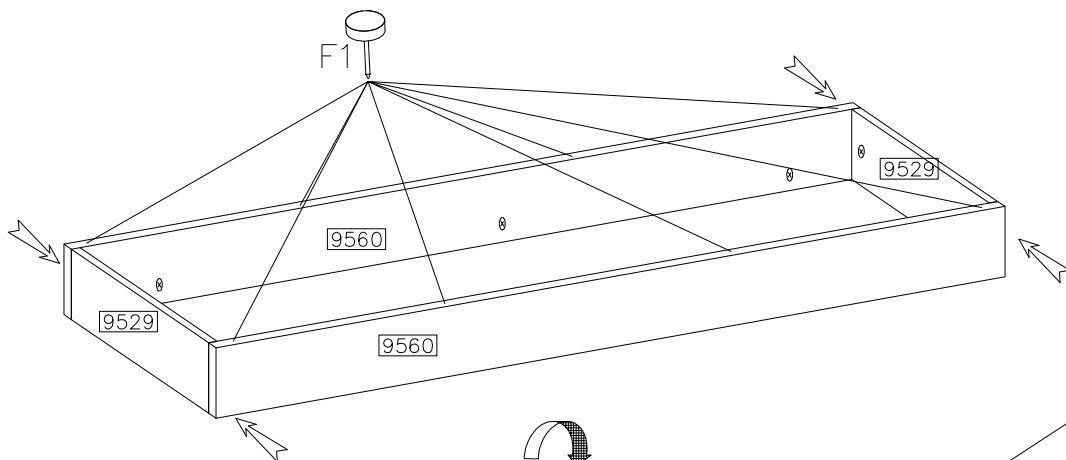


2

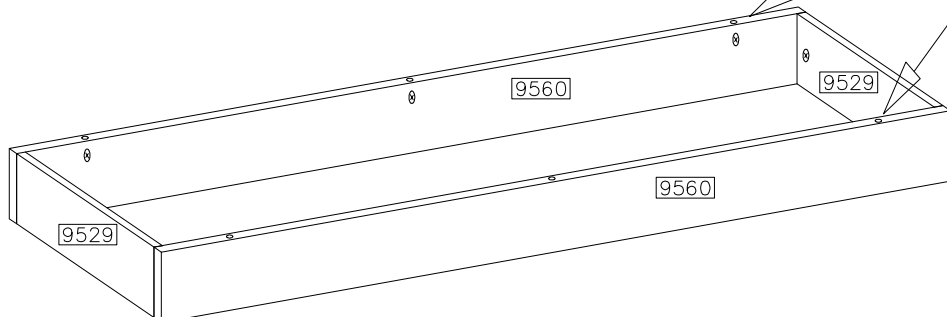


F1

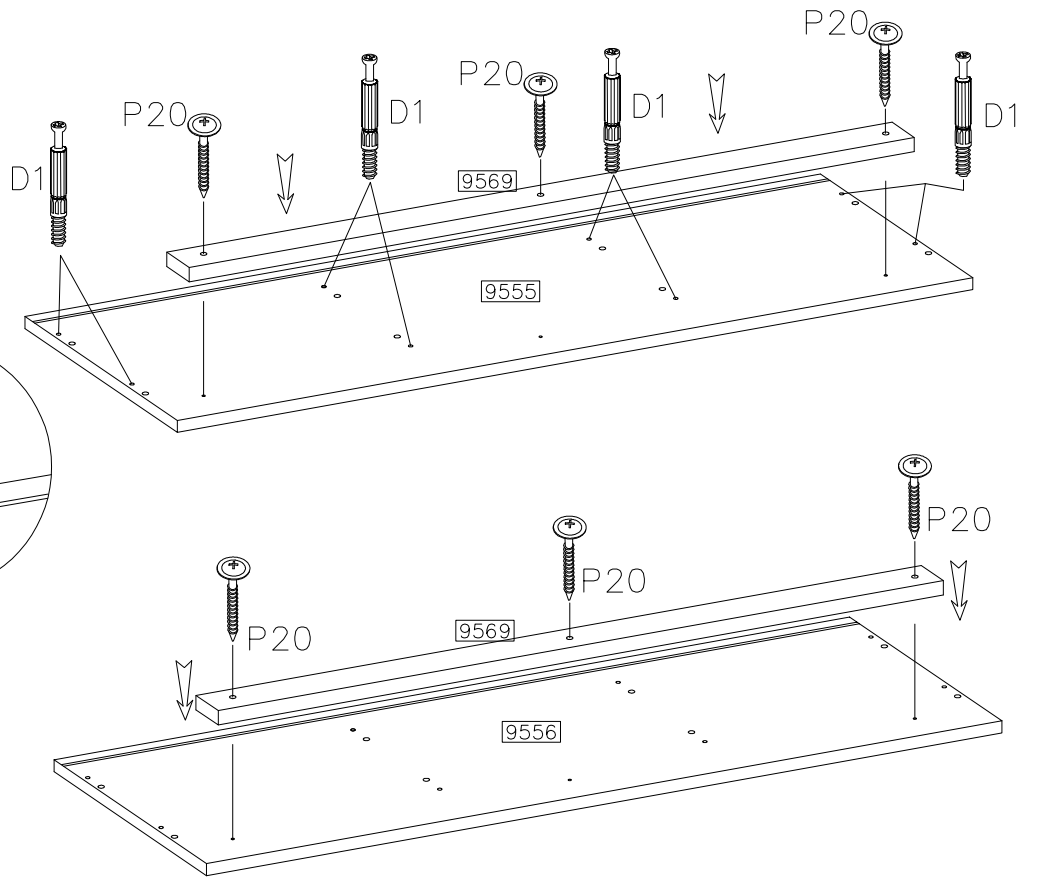
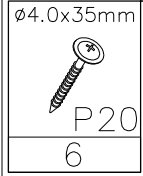
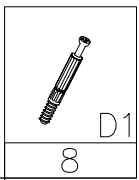
8



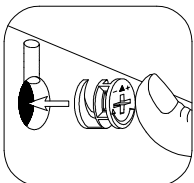
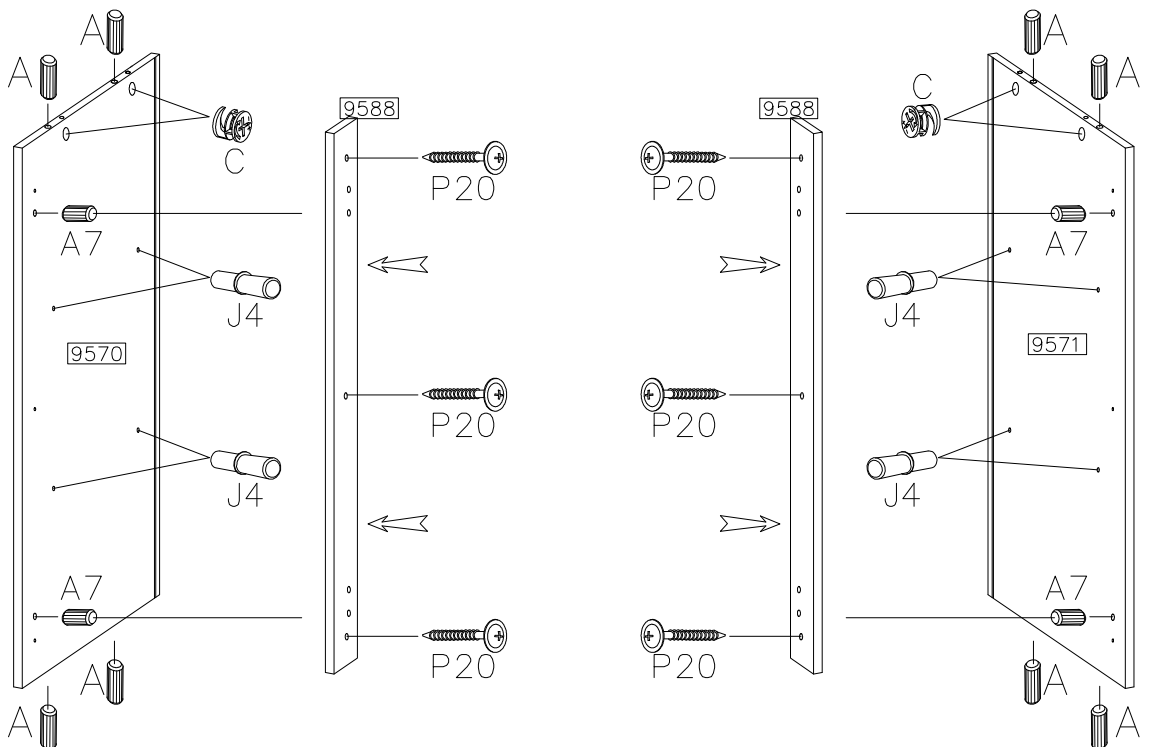
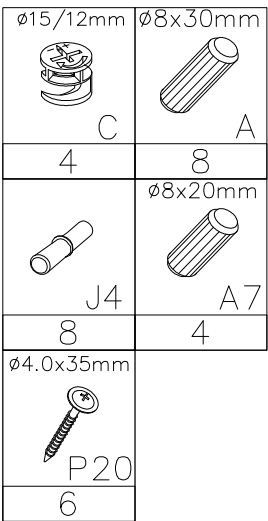
180°



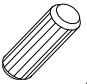



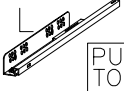

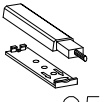

3

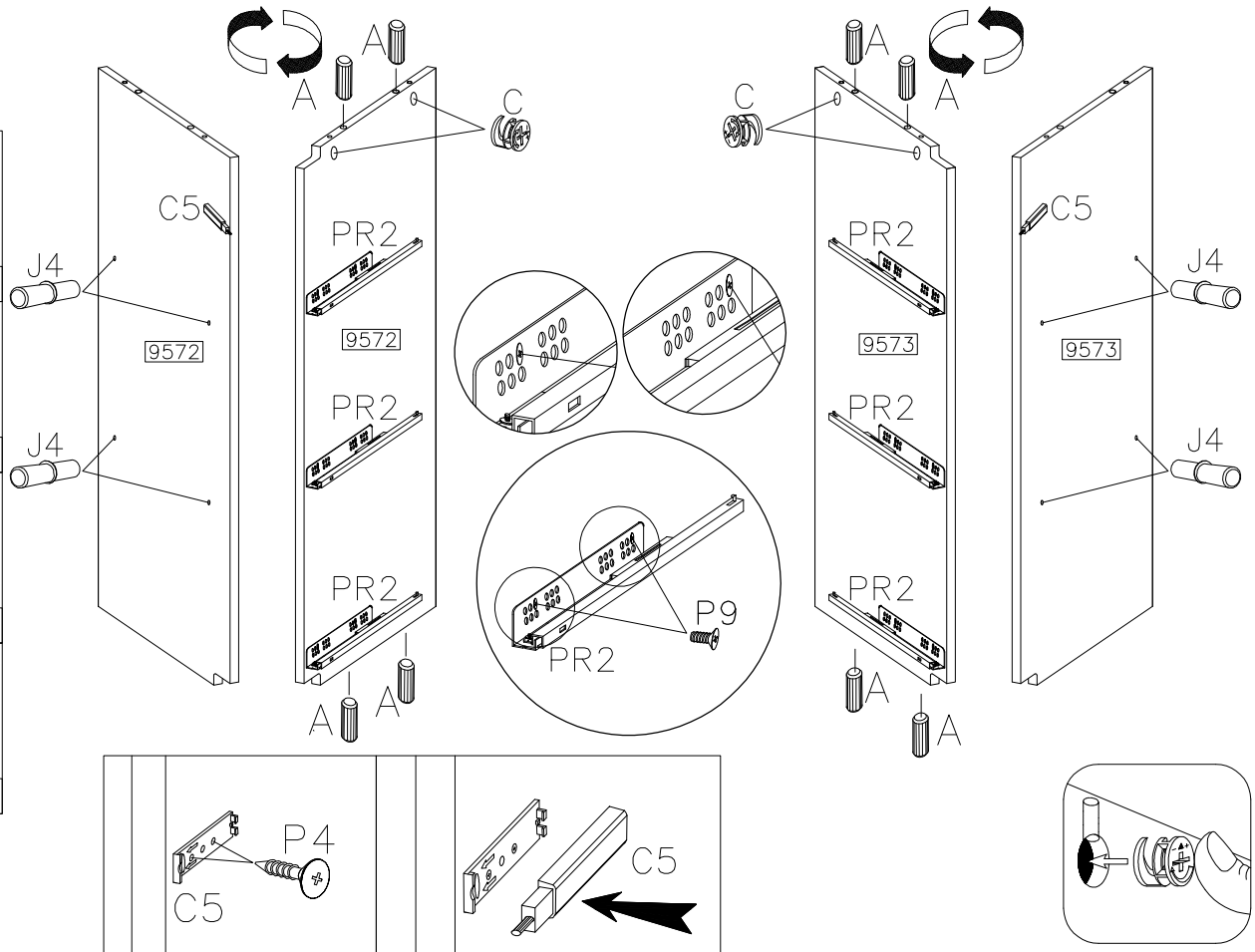


4



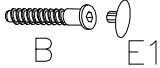


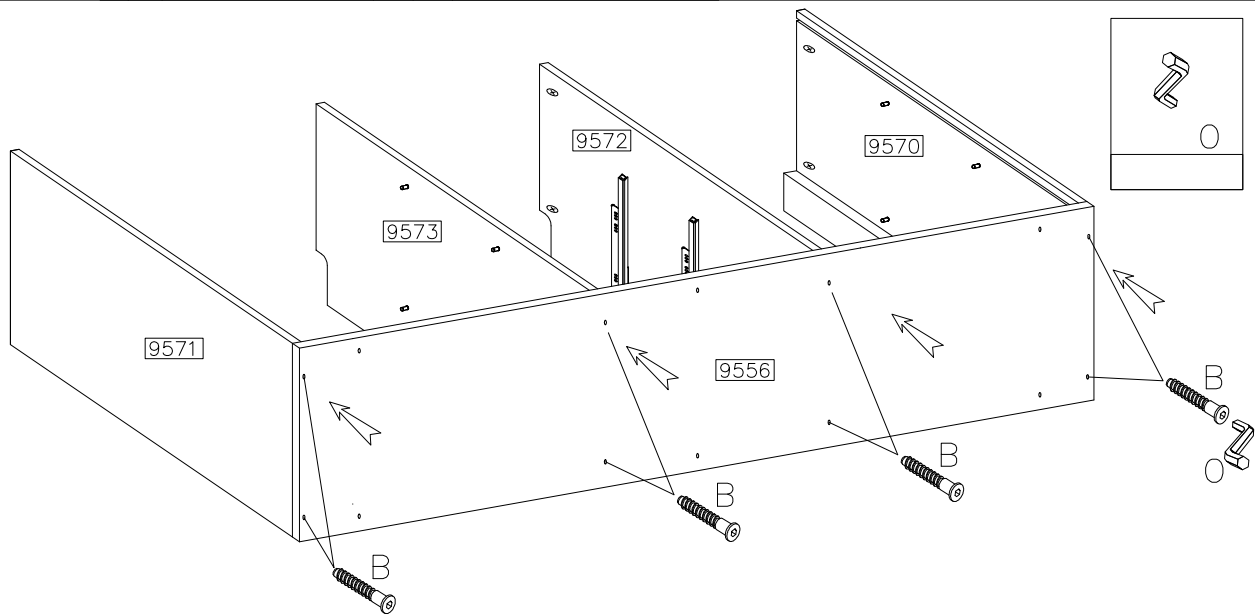
5

<p>∅8x30mm</p>  <p>A</p>	 <p>J4</p>
<p>8</p> <p>∅15/12mm</p>  <p>C</p>	<p>8</p> <p>∅5.0x13mm</p>  <p>P9</p>
<p>L</p>  <p>R</p>  <p>PUSH TO OPEN</p> <p>PR2</p> <p>3SET</p>	
 <p>C5</p>	<p>∅3.5x16mm</p>  <p>P4</p>
<p>2</p>	<p>4</p>

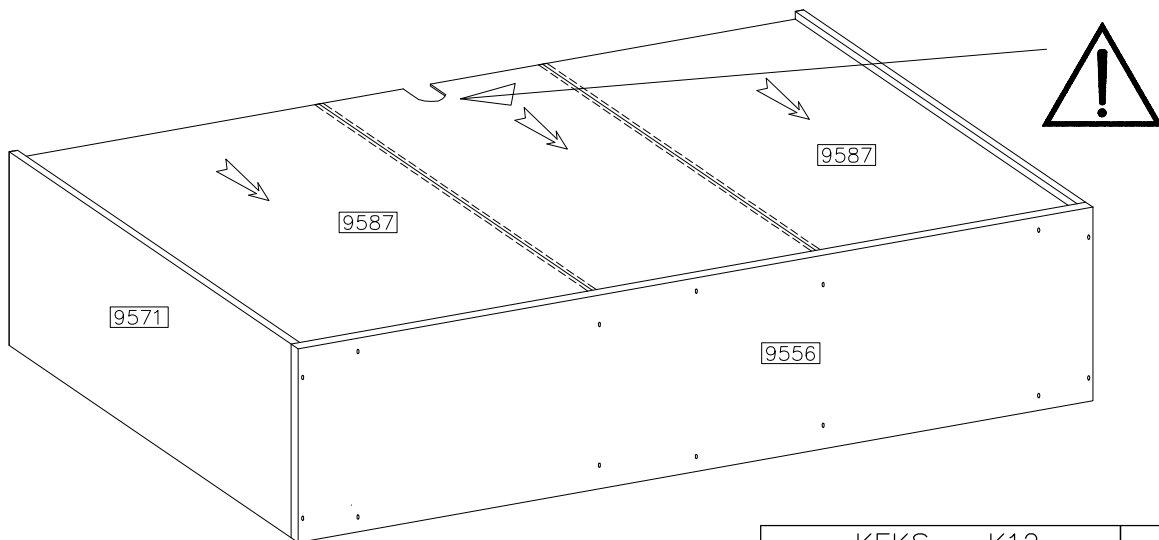


6

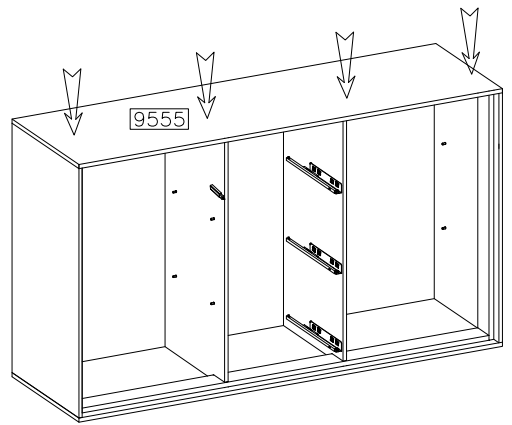
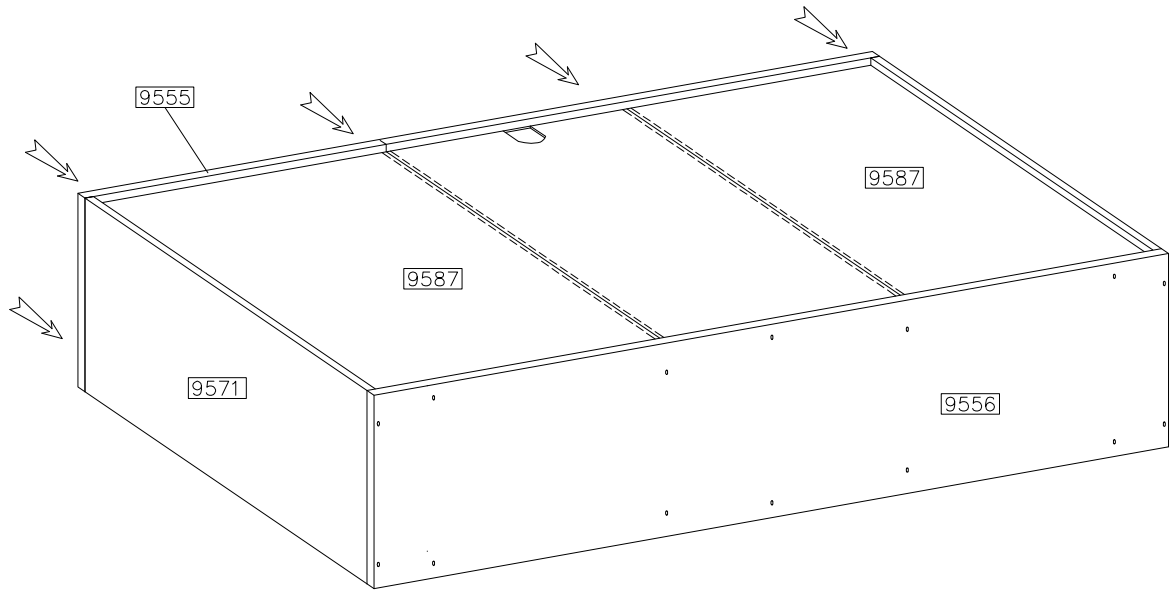
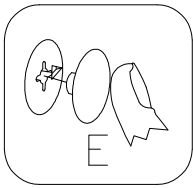
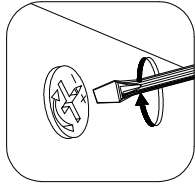
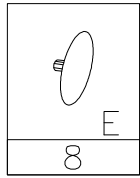
 <p>B</p>
<p>8</p>
 <p>E1</p>
<p>8</p>
 <p>B E1</p>



7



8



9



12



F8

14

ø3.0x16mm



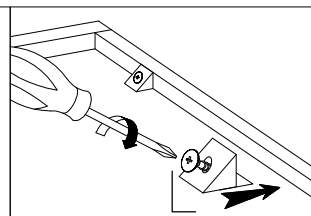
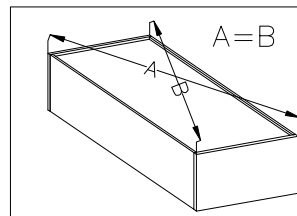
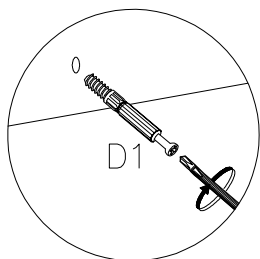
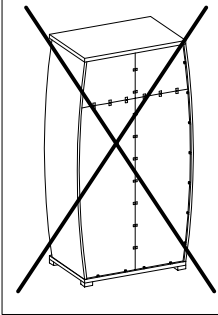
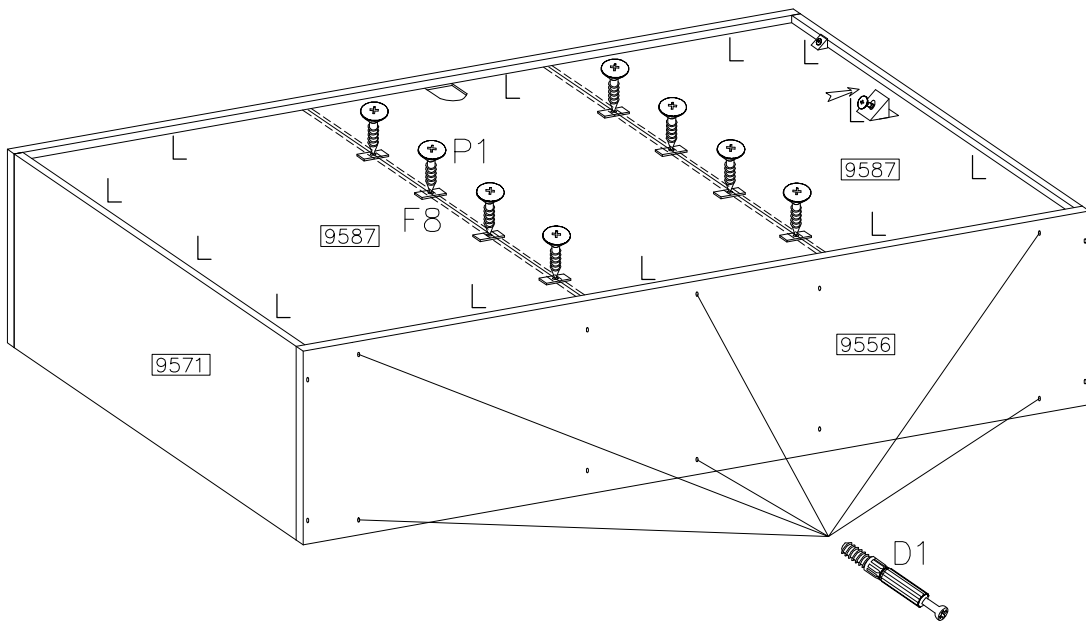
P1

14

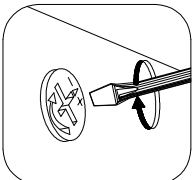
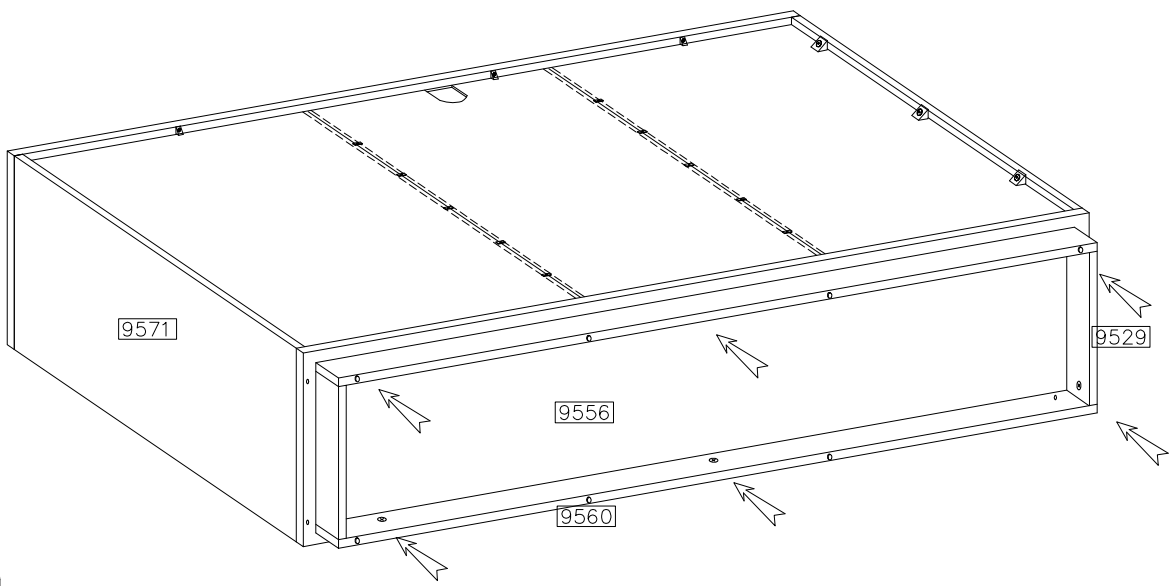


D1

6



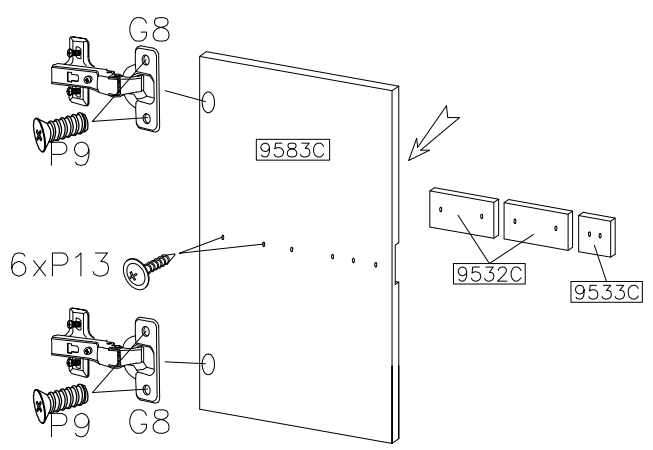
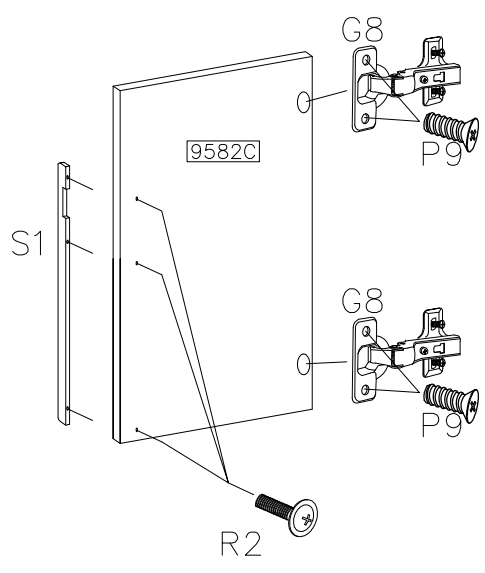
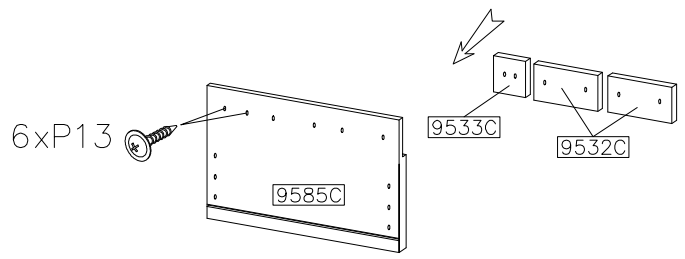
10



11

$\varnothing 35/KR-8$ G8 4	$5.0 \times 13mm$ P9 8	$3.0 \times 13mm$ P13 12	L-608 S1 1	$M4.0 \times 22mm$ R2 3
--------------------------------------	----------------------------------	------------------------------------	----------------------	-----------------------------------

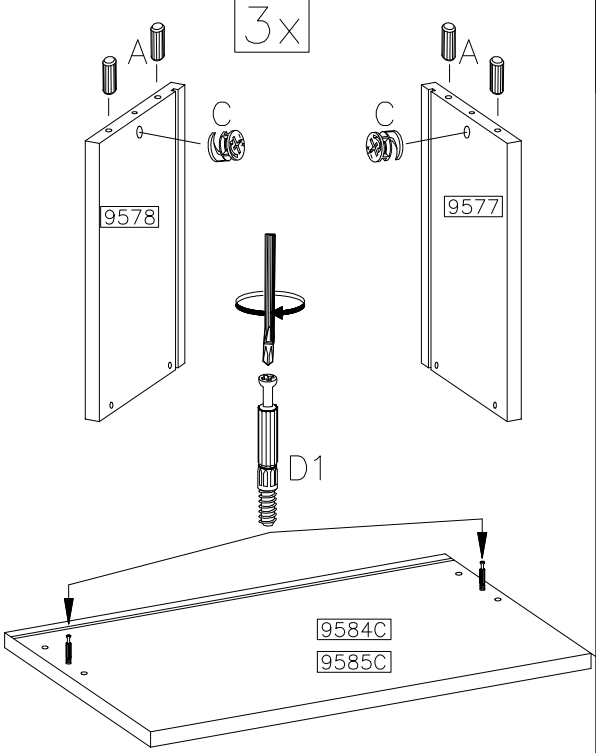
CASHMERE



12

3x

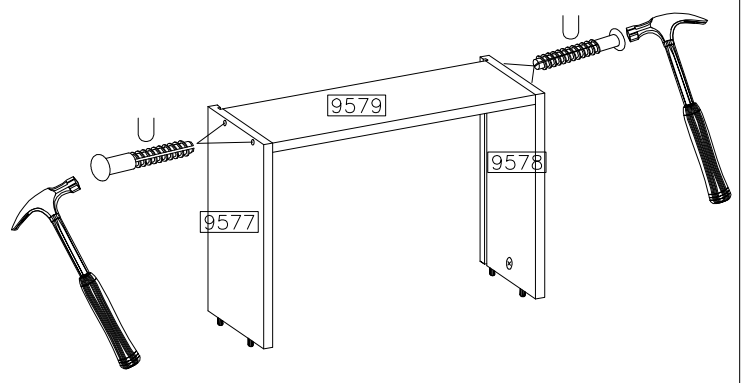
- Ø8x30mm
A
- 12
Ø15/12mm
C
- 6
- D1
- 6



13

3x

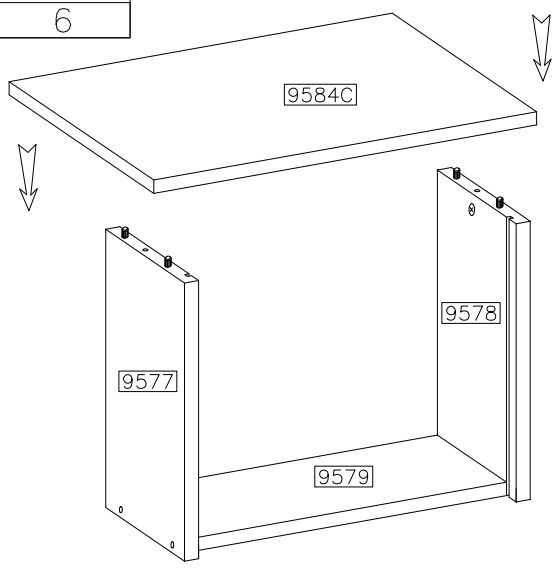
- U
- 12



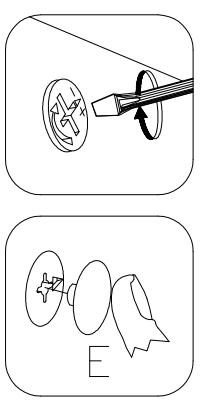
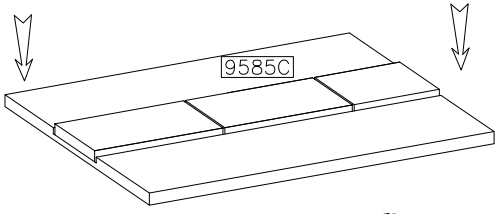
14

- E
- 6

2x



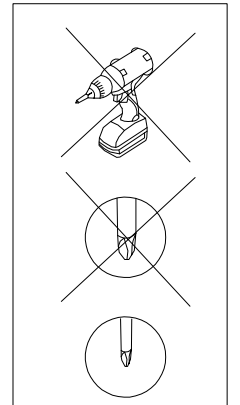
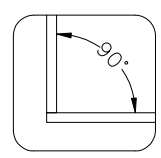
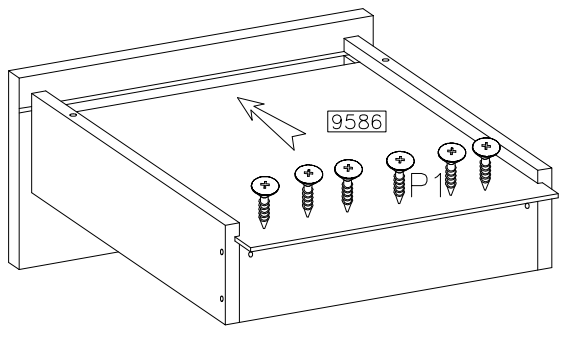
1x



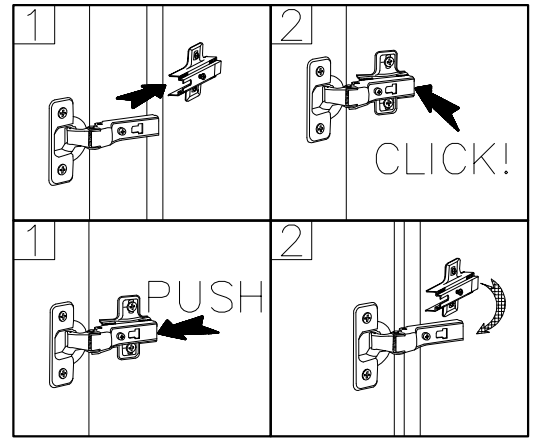
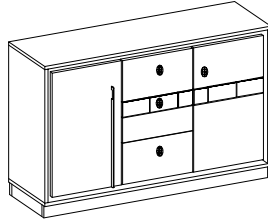
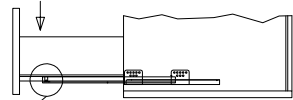
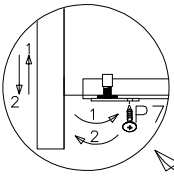
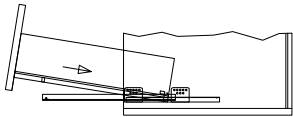
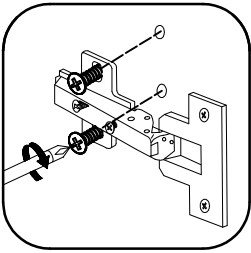
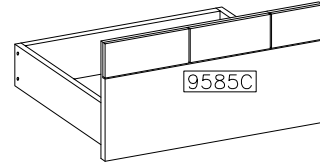
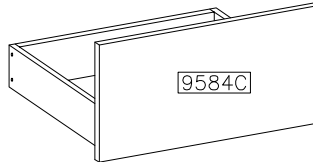
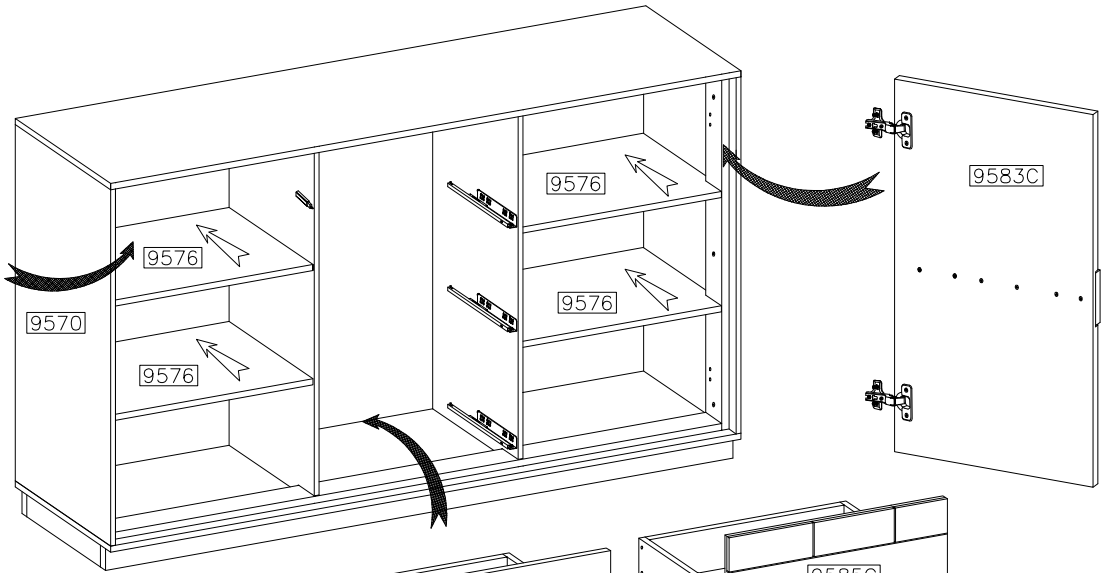
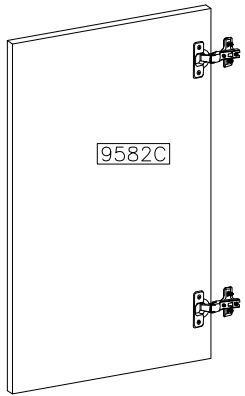
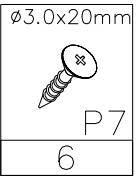
15

3x

- Ø3.0x16mm
P1
- 18



16



17

